

DC - 18.0 GHz.

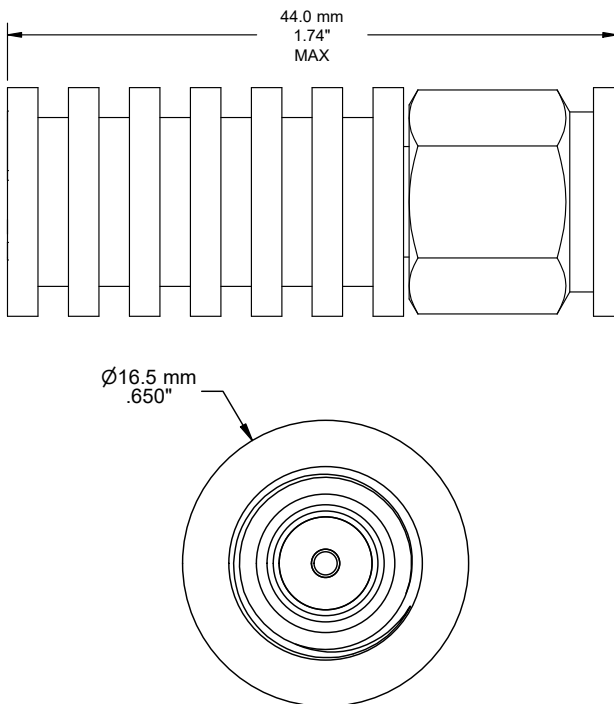
Model: CTRTX10-DC-18G



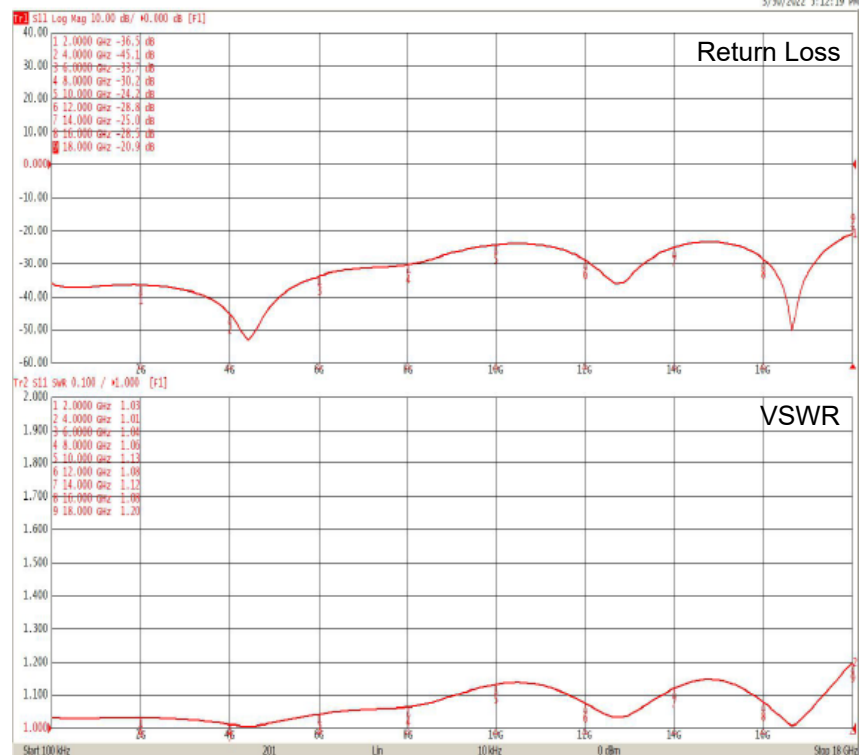
P3's Coaxial Terminations are convection cooled and can handle full rated power at 25 degrees C, and have an operating temperature range of -55 to +125 degrees C. These terminations are commonly integrated with antenna and transmitter systems as dummy loads. Other common applications are for multi-port RF/Microwave devices such as Circulators/Isolators and Directional Couplers or to terminate any 50 ohm impedance port for matching or external power dumping.

The CTRTX10-DC-18G termination's average power is 10 watts over the frequency range of DC-18 GHz. and exhibits low VSWR across the band with excellent power capacity in pulse applications.

Outline



Performance Data



ELECTRICAL SPECIFICATION

Frequency Range:	DC - 18.0 GHz.
Impedance:	50 Ω
DC Resistance:	50 Ω ±5%
Average Power:	10 W at 25° C, 1.0 W at +125° C
Peak Power:	0.5KW (5μs pulse, 2% duty cycle)
VSWR:	1.35:1Max.
Operating Temp.:	-55° C to +125° C

MECHANICAL SPECIFICATION

Connector:	"N" Male or Female Brass, Ni Plated
Connector Gender:	CTR _{TM} = Male, CTR _F = Female
Center Contact:	Brass, Gold Plated
Body:	Aluminum, Black Anodized
Weight:	15 grams
Storage Temp.:	-55° C to +125° C